

Updates & Clarifications

Updated October 19th, 2023

(October 19th, 2023)

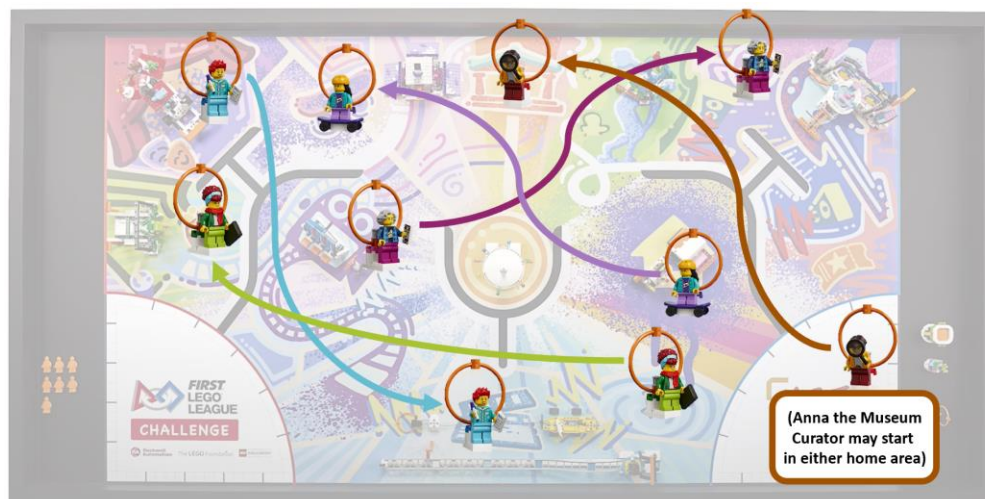
UPDATE 08 – MISSION 05: AUGMENTED REALITY STATUE CLARIFICATION –

Teams attempting Mission 05 should prepare to rotate the orange activation lever of the augmented reality statue mission model the full amount.

(September 26th, 2023)

UPDATE 07 – EXPERT STARTING & ENDING LOCATION CLARIFICATION –

The following image has been created as a guide to display the starting and ending locations of the different MASTERPIECESM experts:

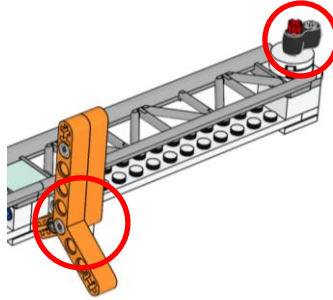


UPDATE 06 – MISSION 04: LEGO® ART PIECE CLARIFICATION – Teams attempting Mission 04 must identify their art piece during the pre-match inspection.

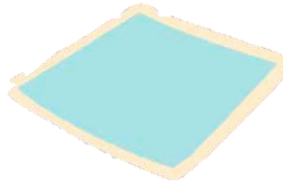
UPDATE 05 – CLARIFICATION FOR DURING THE MATCH: OUTSIDE HOME – In the event that a robot is interrupted completely outside of home, technicians may hand the robot from one side of the table to the other. The team still loses a precision token. This is an exception to “During the Match: Inside Home 3.”

(August 22nd, 2023)

UPDATE 04 – ROLLING CAMERA RAIL CONSTRUCTION – All mission models should be built according to the LEGO® Building Instructions, regardless of photos found within the Robot Game Rulebook. Paying close attention to the circled areas, when built correctly, the end of the rail should match the following:



UPDATE 03 – CAMERA TARGET – The “Camera Target Area” can be seen below:



Camera Target Area

(August 1st, 2023)

UPDATE 02 – SCORESHEET UPDATE – MISSION 14 – The scoresheet values of Mission 14 found on page 30/31 of the Robot Game Rulebook are incorrect and do not match those found in the mission description. The second sentence of the scoresheet should read as follows:

If a target destination has at least one audience member completely in it: **5 EACH DESTINATION**

UPDATE 01 – SCORESHEET UPDATE – MISSION 13 – The scoresheet found on page 30/31 of the of the Robot Game Rulebook mentions the following mission constraint:

To score, team equipment may not be touching the craft machine at the end of the match.

This constraint does not exist in this mission’s description and thus should be ignored. Restated, team equipment MAY be touching the craft machine at the end of the match.